

PIVOT DOOR

EN 14428:2015+A1:2018 (shower enclosures)

EN 12150-1:2013 (glass in building)

6mm Toughened Safety Glass

100mm Product Adjustment

1950mm Height

25mm Wall Profile Extension Available

Patented Twist + Lock Adjustment

Innovative Silent Wheel Track System

CLEANEASY Coating

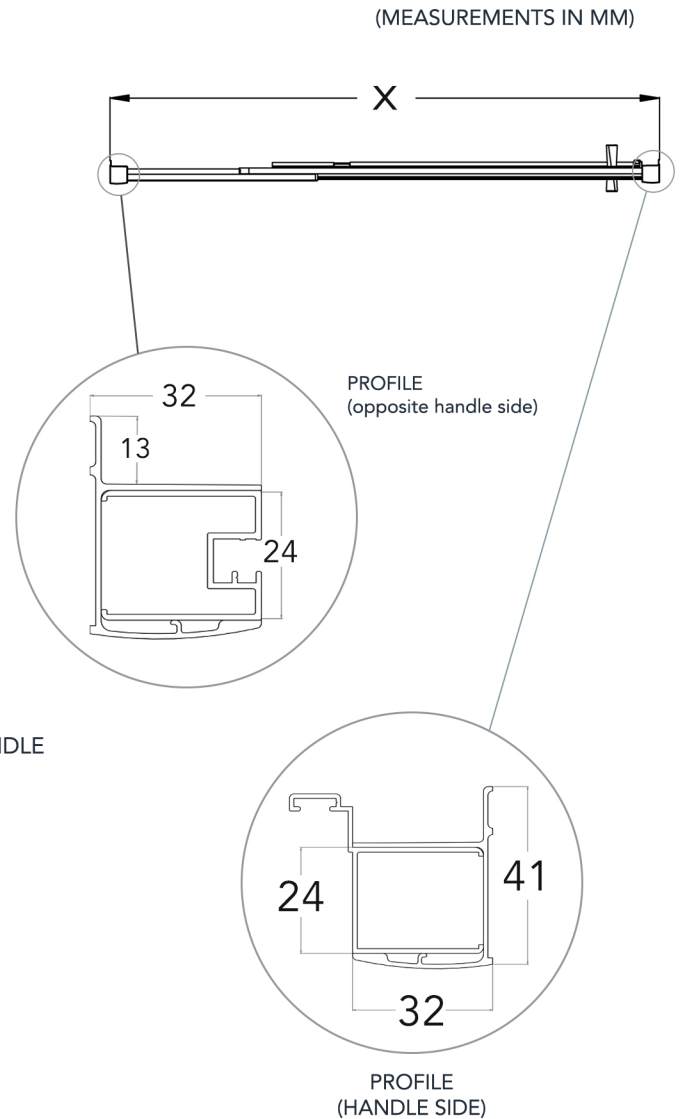
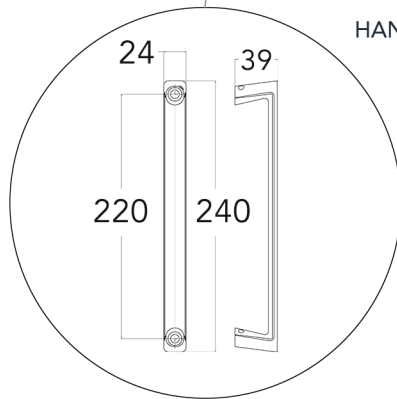
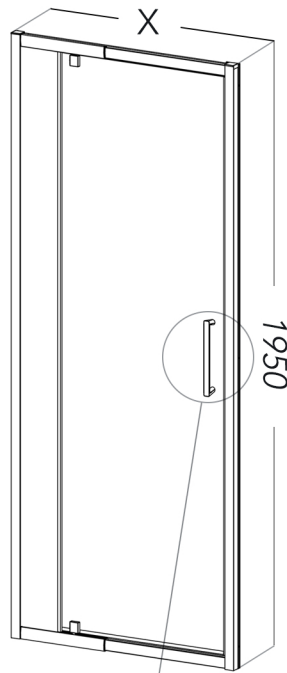
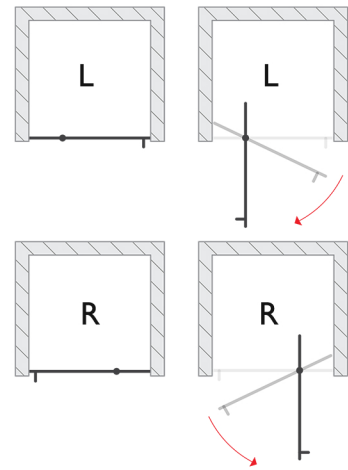
Reversible

Magnetic Closure

Sleek Chrome Plated Door Handles

Suitable Side Panel Installation

20 Year Guarantee Against Manufacturing Defects*



SPECIFICATIONS

PRODUCT SIZE	ADJUSTMENT X (min - max)	DOOR ACCESS	FIXED PANEL WIDTH	EXTRUSION	INTRUSION	PRODUCT WEIGHT	PRODUCT CODE SILVER
800mm	700 - 800mm	422mm	146mm	433mm	117mm	28.00kg	STPD80SC
900mm	800 - 900mm	530mm	146mm	533mm	117mm	31.00kg	STPD90SC
1000mm	900 - 1000mm	630mm	146mm	633mm	117mm	34.00kg	STPD100SC
1200mm	1100 - 1200mm	630mm	348mm	633mm	117mm	40.00kg	STPD120SC

+353 42 966 8000 | flairshowers.com | sales@flairshowers.com

All data presented may be subjected to change without prior notice. Flair Showers does the best it can to provide accurate information. Flair Showers unfortunately cannot guarantee this, and accept no liability for any information / advice given.

* Excludes perishable items such as rollers, seals, hinges, etc.